

The following supply the recommended anchoring system for fuel tanks:

Highland Tank	717-664-0600
R. E. Michel Co.	410-760-4000
Ray Murray Inc.	1-800-631-5341
Tarantin Tank	1-800-922-0724



PERMITS, APPROVALS AND INSPECTIONS

ARNOLD JABLON
DIRECTOR

BALTIMORE COUNTY BUILDING CODE

RECOMMENDED ANCHORING SYSTEMS FOR FUEL TANKS

REVISION

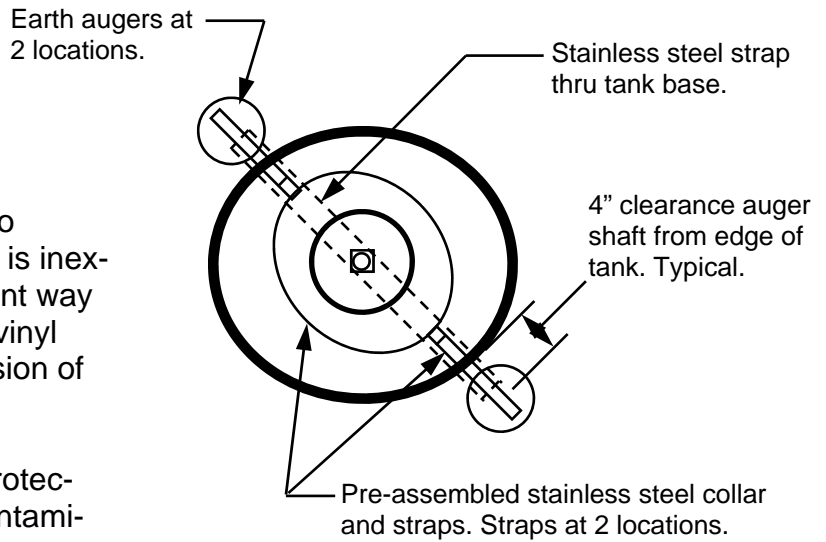
6-24-2011

DRAWN BY

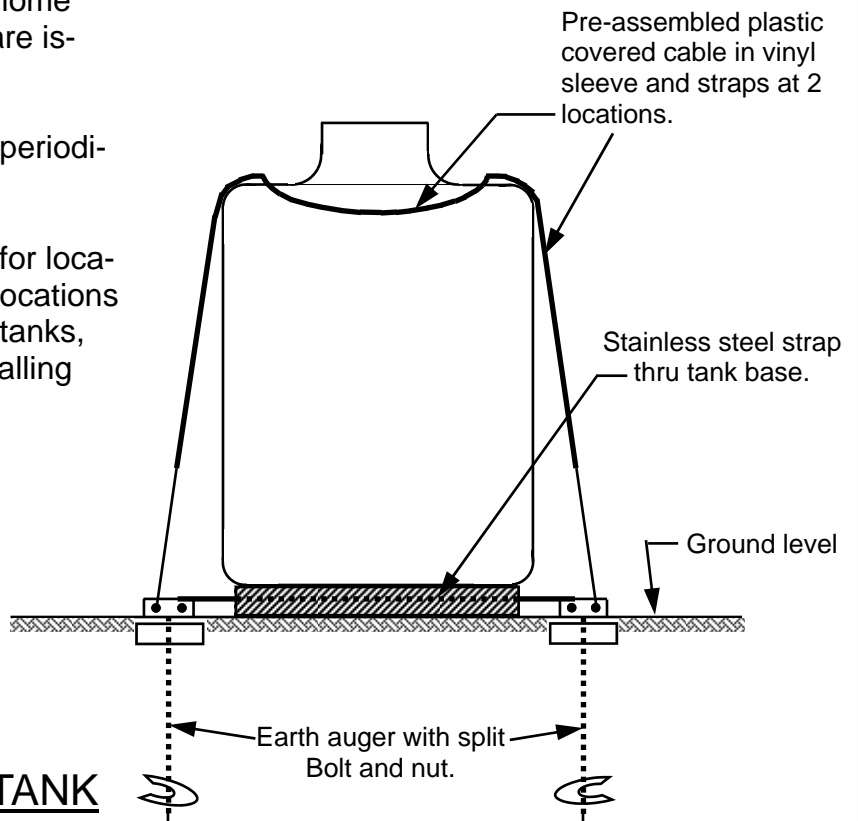
JOS VENTURINA

NOTES:

- 1.) Anchor tanks with straps attached to screw-in-ground anchors. This method is inexpensive and effective and is an excellent way to retrofit most existing tanks. Place a vinyl shield over the straps to prevent corrosion of the tank where straps have contact,
- 2.) Extend vent pipe above the flood protection elevation to prevent water from contaminating oil supply.
- 3.) Use a threaded fill cap with a tight gasket to prevent oil leaks.
- 4.) Remember to shut-off the burner supply line to the heat equipment inside the home when flood and tidal surge warnings are issued.
- 5.) Check anchor straps for tightness periodically and tighten as necessary.
- 6.) Check with local utility companies for locations of underground lines and verify locations of underground sprinkler lines, septic tanks, and drain field lateral lines before installing ground anchors.



TOP VIEW: UPRIGHT TYPE TANK



ELEVATION: UPRIGHT TYPE TANK



PERMITS, APPROVALS AND INSPECTIONS

ARNOLD JABLON
DIRECTOR

BALTIMORE COUNTY BUILDING CODE

RECOMMENDED ANCHORING SYSTEMS FOR FUEL TANKS

REVISION

6-24-2011

DRAWN BY

JOS VENTURINA